



Faszination Technik

**Lang do Brasil
Institutional Presentation
2024**

Corporate Information



Founded in 1946 in Ravensburg, southern Germany, what was once a small craft workshop has become an important and globalized company, supplier of technology components.

Nowadays, Lang is recognized in all markets that it plays, for providing innovative products and services that meet the highest standards of quality and reliability.



Corporate Information



Headquarters:

- Ravensburg, Germany

Manufacturing Subsidiaries:

- Atlanta, USA
- Jinhua, China
- Caxias do Sul, Brazil
- Pune, India (coming soon)

Commercial Subsidiaries:

- Mexico City, Mexico
- Pune, India



Corporate Information



The "Fascination with Technology" is not an empty slogan for us, but our active corporate philosophy.

We have been a trusted partner to our customers for more than three generations, in every market we operate in.



Our success keys:

- ✓ Creativity
- ✓ Fascination with technology
- ✓ Quality of our products
- ✓ Commitment to our customers
- ✓ Global presence and local service

Lang do Brasil



Mission:

- Provide aggregated technology in products and services, generating reliable solutions and oriented to the needs of customers.
- Seek the satisfaction of customers, shareholders, employees and suppliers.
- Preserve the environment, promote continuous improvement and meet the applicable requirements.



Lang do Brasil



Vision:

- Extend the international recognition of our brand, through the diversification of products, services and markets, using German business practices.
- To stand out as the best procurement option by providing technology, reliability, and value-added products and services.



Lang do Brasil



Beliefs:

- Respect and appreciation of the human being, above all.
- Satisfaction of our customers, shareholders, employees and suppliers.
- Respect for the environment and society.
- Ethics in the conduct of our actions.



Main Areas of Activity



**Buses´ Air Conditioning
Electromagnetic Clutches**



**Agricultural Bulk Carrier Trailers´
Electromagnetic Clutches**

Buses´ AC Electromagnetic Clutches

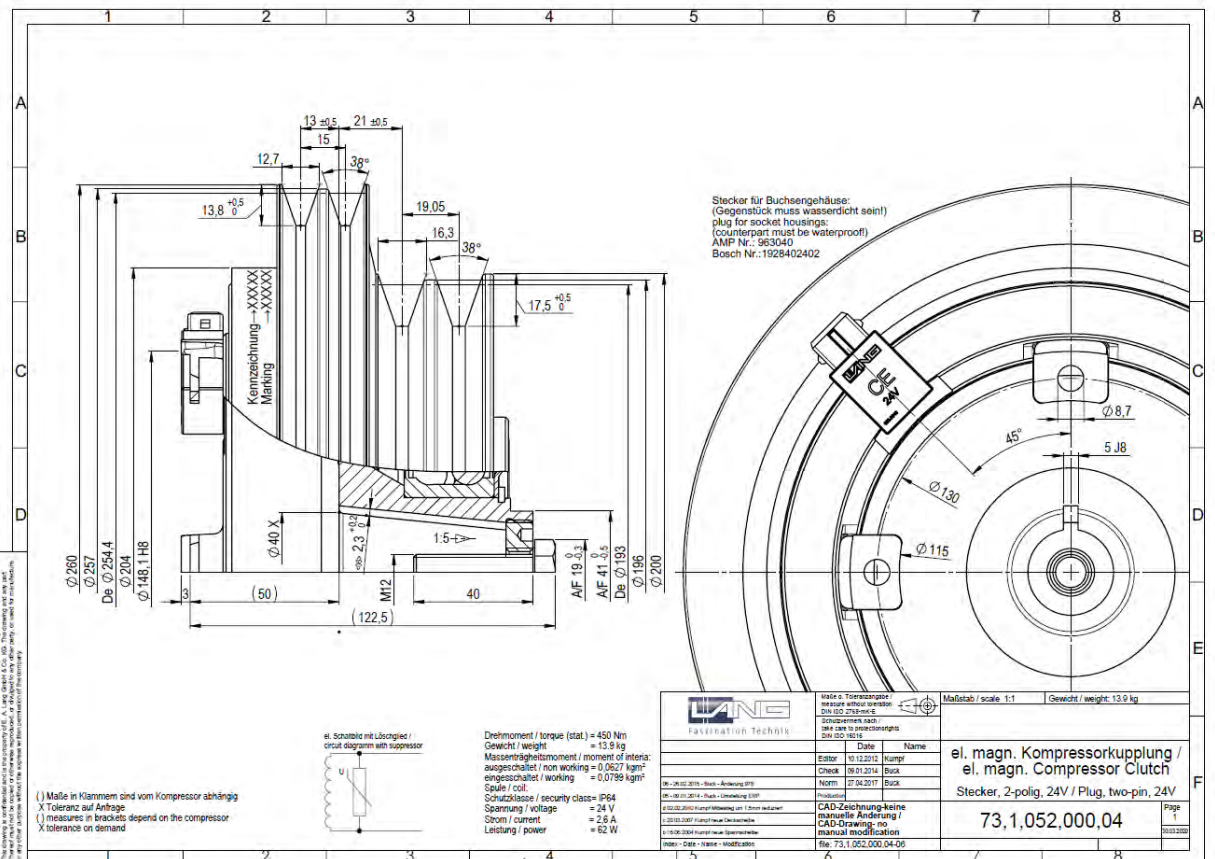


Premium Line

Application: Urban (Standards and Articulated) and Road Buses (Standards and DDs)

Compressors: Bitzer and Bock (Danfoss), 4 and 6 cylinders

Torque Resistance: 450N.m



Premium Line

Model: 73.1.052.000.04

24V

The complete portfolio is available at: <https://ealang.com.br/produtos/>

Buses´ AC Electromagnetic Clutches



Premium Line

Application: Urban (Standards and Articulated) and Road Buses (Standards and DDs)

Compressors: Bitzer and Bock (Danfoss), 4 and 6 cylinders

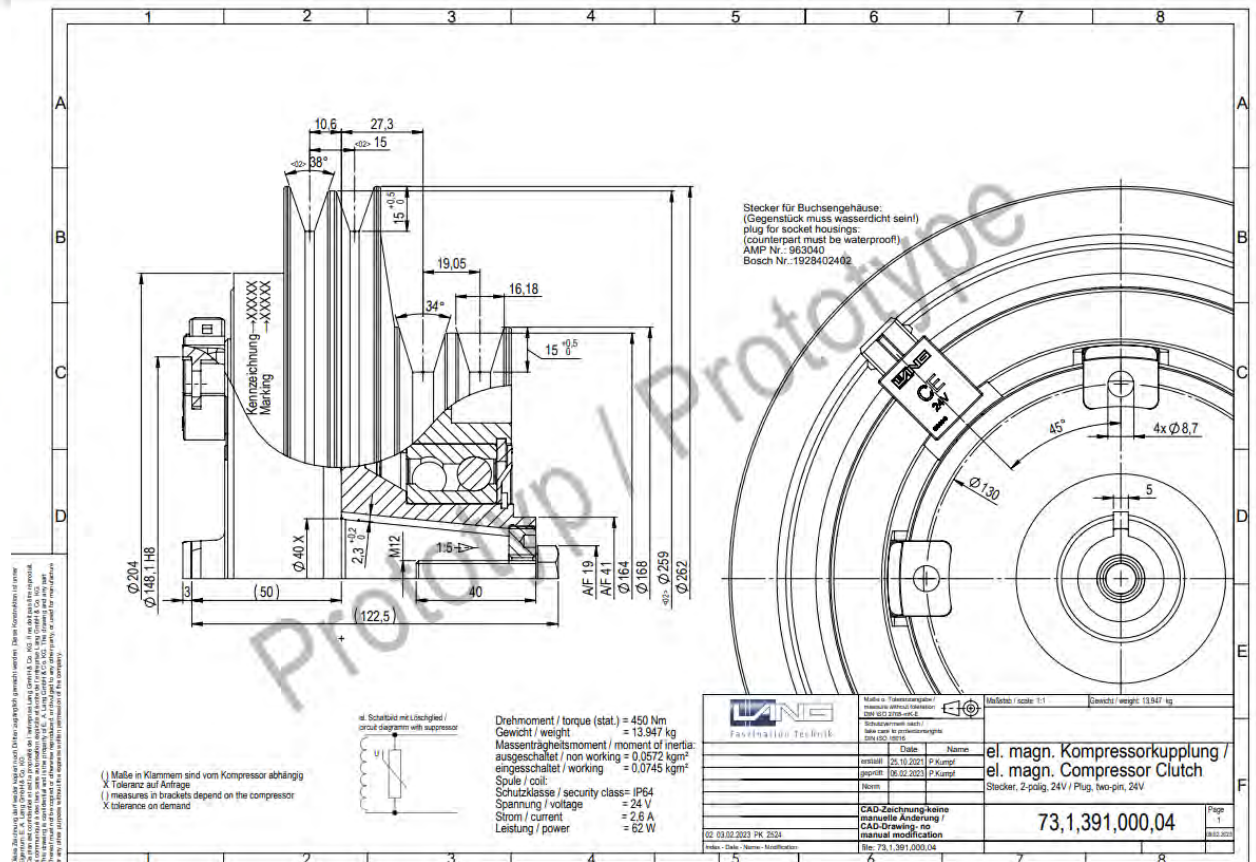
Torque Resistance: 450N.m



Premium Line

Model: 73.1.391.000.04

24V



The complete portfolio is available at: <https://ealang.com.br/produtos/>

Buses´ AC Electromagnetic Clutches



Premium Line

Application: Urban (Standards and Articulated) and Road Buses (Standards and DDs)

Compressors: Bitzer and Bock (Danfoss), 4 and 6 cylinders

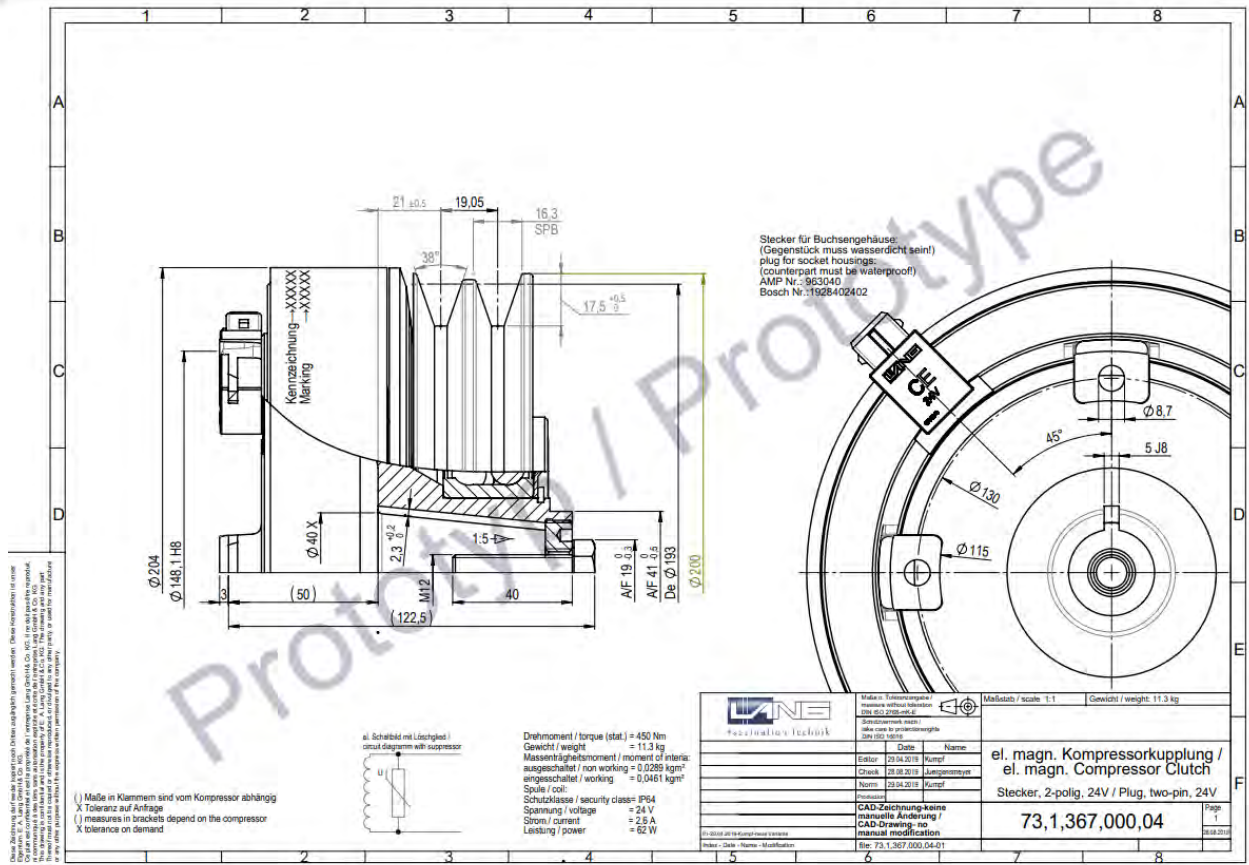
Torque Resistance: 450N.m



Premium Line

Model: 73.1.367.000.04

24V



The complete portfolio is available at: <https://ealang.com.br/produtos/>

Buses AC Electromagnetic Clutches

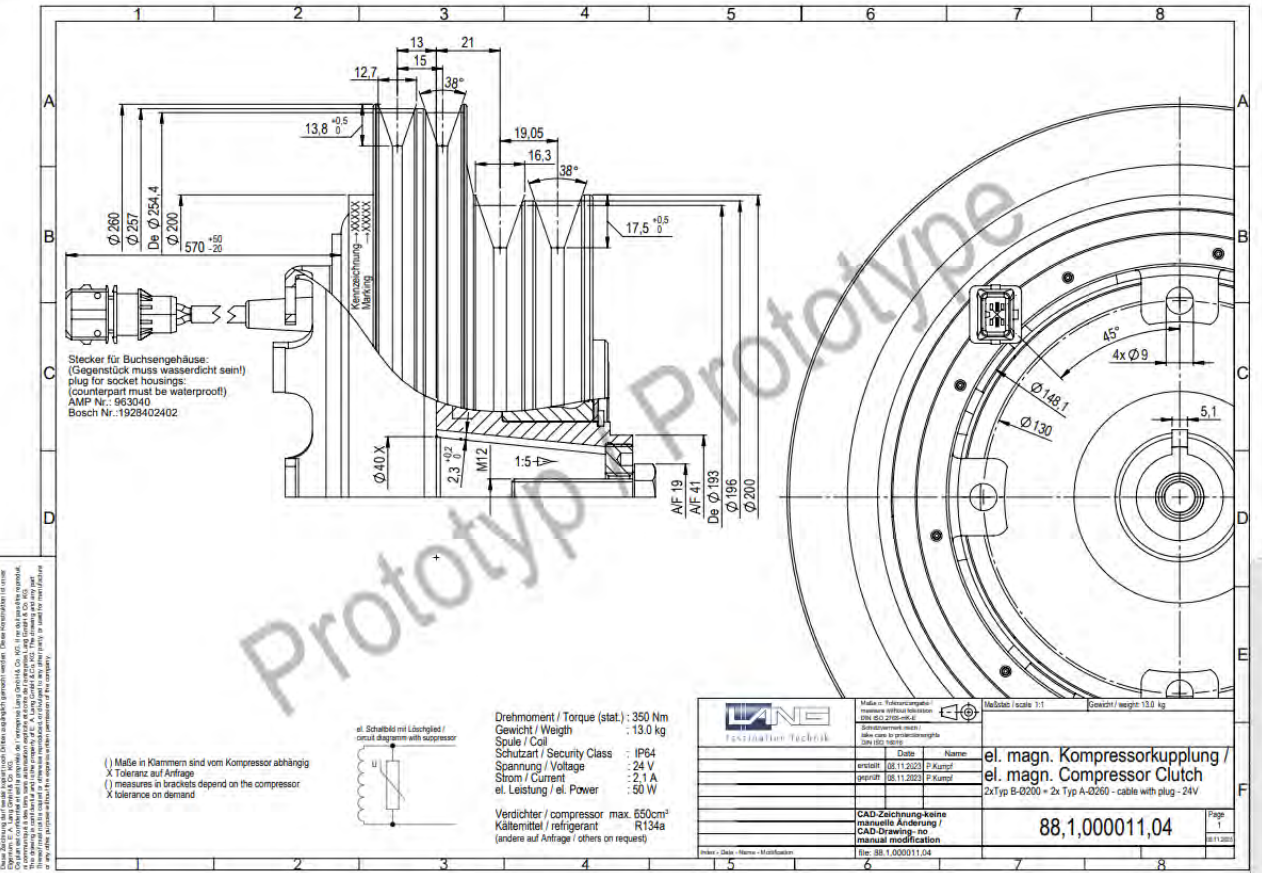


EcoClutch Line

Application: City Buses (Standards) and Coach Buses (Standards)
 Compressors: Bitzer and Bock (Danfoss), up to 4 cylinders and 655cm³
 Torque Resistance: 350N.m



EcoClutch Line
 Model: 88.1.000011.04
 24V



The complete portfolio is available at: <https://ealang.com.br/produtos/>

Buses AC Electromagnetic Clutches

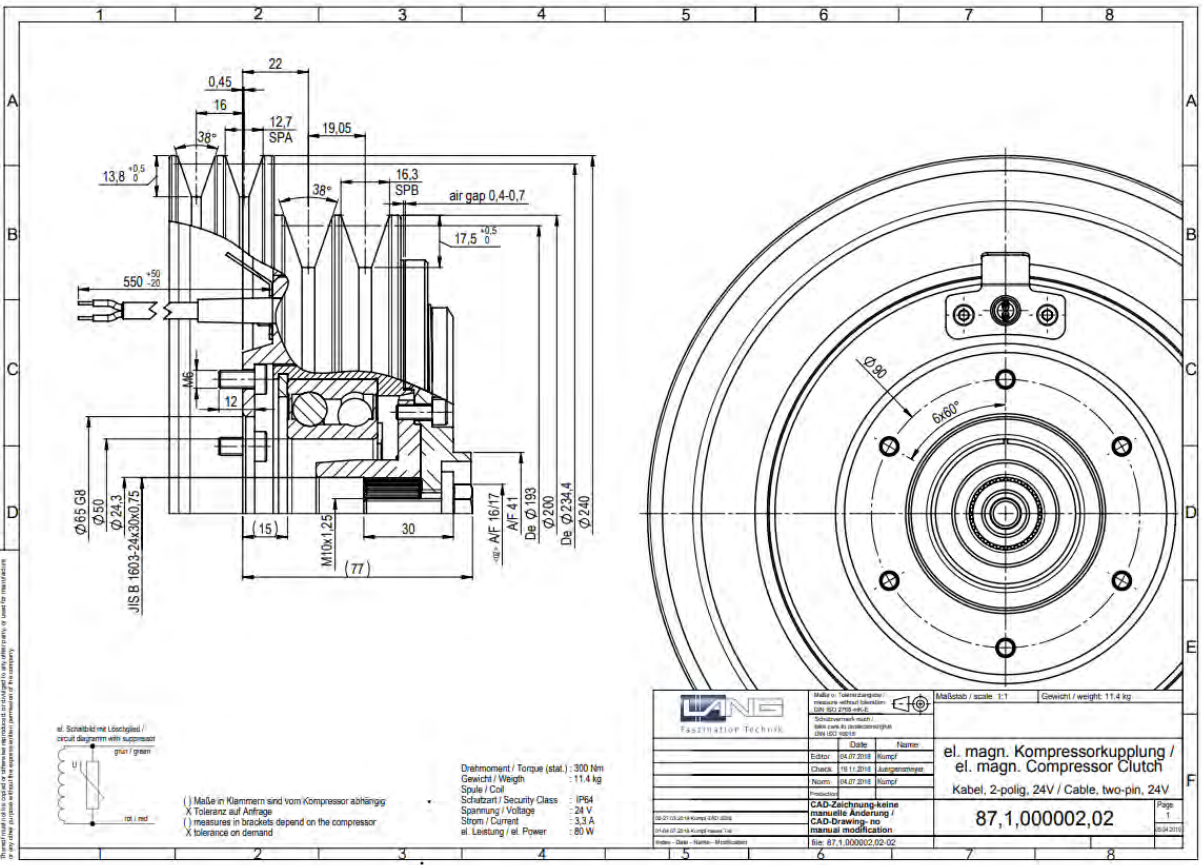


EcoClutch Line

Application: City Buses (Standards) and Coach Buses (Standards)

Compressors: Valeo TM65 e TCCI QPS65

Torque Resistance: 300N.m



EcoClutch Line

Model: 87.1.000002.02

24V

		Maßstab / scale: 1:1 Gewicht / weight: 11.4 kg	
Made in Germany Schweißwerkstatt 1911 2018	Editor: 04.07.2018 Check: 16.11.2018 Name: 04.07.2018	Name: 04.07.2018 CAD-Zeichnung keine manuelle Änderung / CAD-Drawing: no manual modification	el. magn. Kompressorkupplung / el. magn. Compressor Clutch Kabel: 2-polig, 24V / Cable: two-pin, 24V 87,1,000002,02
Drehmoment / Torque (stat.): 300 Nm Gewicht / Weight: 11.4 kg Schutzart / Security Class: IP64 Spannung / Voltage: 24 V Strom / Current: 3.3 A el. Leistung / el. Power: 80 W		File: 87.1.000002.02.02	Page: 1

The complete portfolio is available at: <https://ealang.com.br/produtos/>

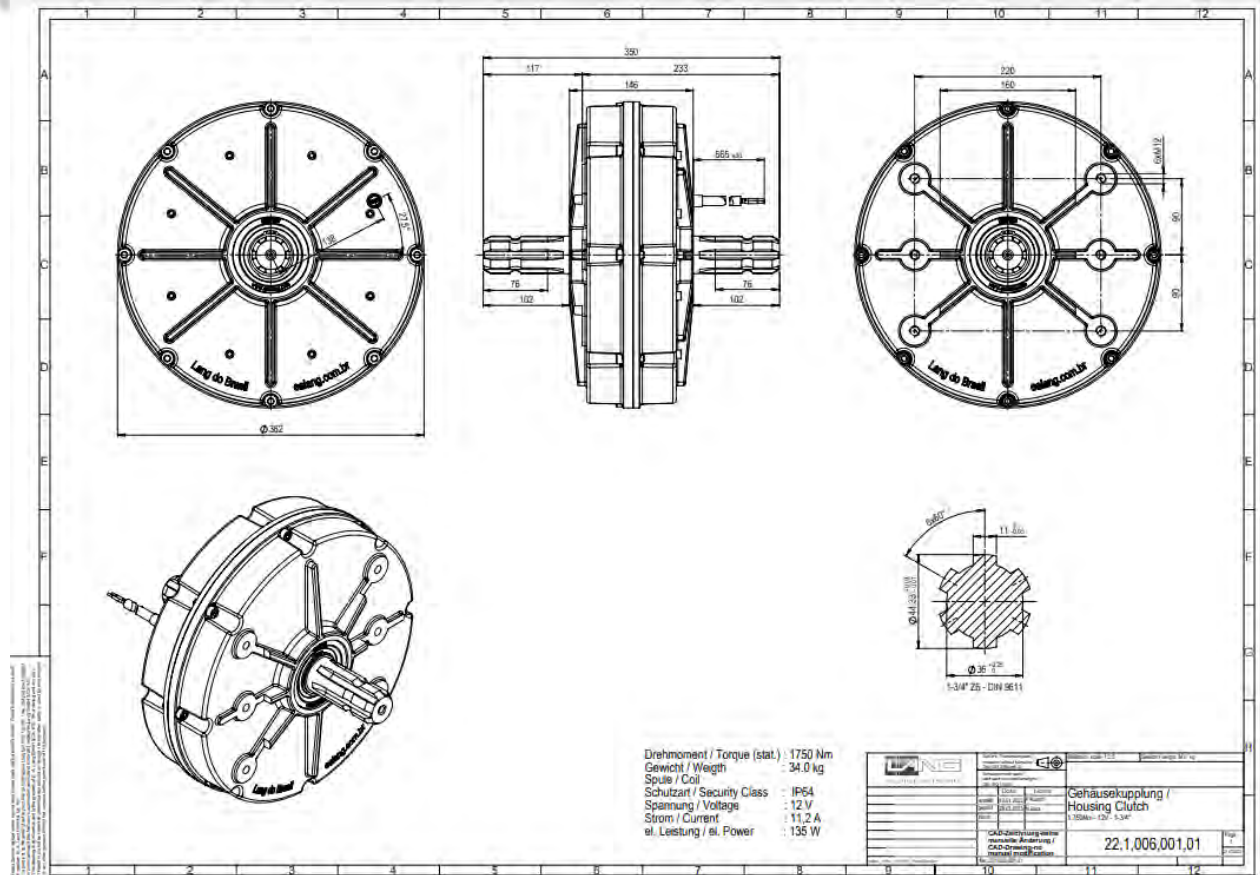
Agricultural Bulk Carriers' Clutches



Application: Bulk Carrier Trailers
 Discharge Pipe Diameter: up to 500mm
 Discharge Pipe Height: up to 5.200mm
 Torque Resistance: 1.750N.m



Model of 1.750N.m
 P/N: 22.1.006.001.01
 Tension: 12V
 Ø Shafts: 1-3/4" Z6



The complete portfolio is available at: <https://ealang.com.br/produtos/>

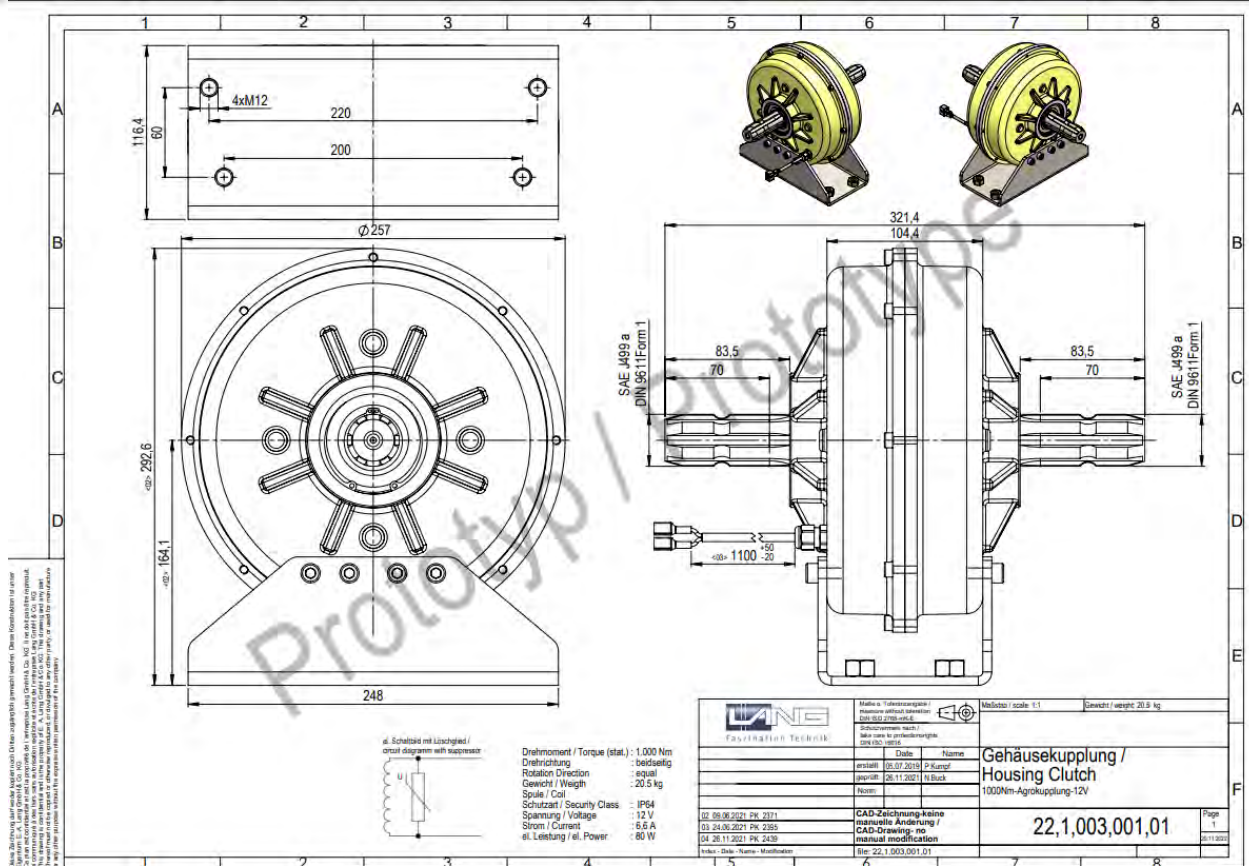
Agricultural Bulk Carriers' Clutches



Application: Bulk Carrier Trailers
 Discharge Pipe Diameter: up to 350mm
 Discharge Pipe Height: up to 4.800mm
 Torque Resistance: 1.000N.m



Model of 1.000N.m
 P/N: 22.1.003.001.01
 Tension: 12V
 Ø Shafts: 1-3/8" Z6



The complete portfolio is available at: <https://ealang.com.br/produtos/>

Quality Assurance System

ISO 9001:2015 Certification



ZERTIFIKAT ◆ CERTIFICATE ◆ CERTIFICADO ◆ CERTIFICAT ◆ 認證證書 ◆ CERTIFICATE ◆ ZERTIFIKAT



Management Service

CERTIFICATE

The Certification Body
of TÜV SÜD Management Service GmbH
certifies that



E.A. Lang GmbH & Co. KG
Weidenstr. 3
88212 Ravensburg
Germany

has established and applies
a Quality Management System for

**Design, production and
sales of drive components,
die and tool design, precision machining.**

An audit was performed, Order No. 70019283.
Proof has been furnished that the requirements
according to

ISO 9001:2015
are fulfilled.

The certificate is valid from 2022-02-03 until 2025-02-02.
Certificate Registration No.: 12 100 21444 TMS.





Head of Certification Body
Munich, 2022-02-01



TÜV SÜD Management Service GmbH • Zertifizierungsstelle • Ridlerstrasse 57 • 80335 München • Germany
www.tuv-sued.de/certificate-validity-check



MANAGEMENT SYSTEM CERTIFICATE

Certificate no.:
275493-2019-AQ-BRA-INMETRO

Initial certification date:
17 December 2018

Valid:
18 December 2021 – 17 December 2024

This is to certify that the management system of
**LANG DO BRASIL COMERCIO DE EMBREAGENS
ELETROMAGNETICAS LTDA.**
 R THEREZINHA GLACY SCHUCH, 230, 95.054-760, CAXIAS DO SUL, RS, Brazil

has been found to conform to the Quality Management System standard:
ISO 9001:2015

This certificate is valid for the following scope:
Assembly and sales of electromagnetic clutches

Place and date:
 São Paulo, 18 December 2021

For the issuing office:
 DNV - Business Assurance
 Av Alfredo Eglydio de Souza Arenha, 100 -
 Bloco D-3andar - Vila Cruzeiro, 04726-170,
 São Paulo, SP, Brazil






Mauricio Venturin
Management Representative

Lack of fulfillment of conditions as set out in the Certification Agreement may render this Certificate Invalid
 ACCREDITED UNIT: DNV GL Business Assurance Avaliação e Certificação Brasil Ltda., Avenida Alfredo Eglydio de Souza Arenha, 100 - 3º And. - B. D - Vila Cruzeiro - São Paulo - TEL: + 55 11 3305 3305 - dnv.com.br/certificacao, dnv.com.br/certification, dnv.com.br/certificate

Summary



- Products of German origin, and of the highest quality
- ISO 9001:2015 Certification
- Globalized company and local service
- Absolutely focused on customer satisfaction
- Rapid development of customer requirements (new customized products)
- Short delivery time due to the own and highly flexible production line
- More than 40 years of experience in coupling solutions



...because we want our customers stay with us!!!



Faszination Technik

Thank you very much!